

CABLIN[®]-CA

0.4mm Pitch Horizontal Type



- Mating Height : MAX. 1.1mm
- Improved transmission efficiency, High level EMI shield performance and multi point ground
- W-Point Contact with High mating reliability
- Anti-reverse mating design
- Locking bar prevents accidental unmating (Option)
- Soldering connection

【Number of Position】

30p, 40p

【Ordering Code】

PLUG Connector Set (for Cable)
Parts Ordering (HOUSING)

20524- 0 ** T-01
 ① ②

Parts Ordering (SHELL A)

2764- 0 ** * - ***
 ① ③ ④

Parts Ordering (Pull bar)

2766- 0 ** 1
 ①

RECEPTACLE Connector Set
(for PC Board)

20525- * ** E - * *
 ④ ① ② ③ ⑤

【Material / Finish】

Product	Parts	Material	Plating / Color
PLUG	HOUSING	LCP UL94V-0	BLACK
	CONTACT	COPPER ALLOY	Au
	SHELL A	COPPER ALLOY	Au or Pd-Ni
	SHELL B	COPPER ALLOY	Au
	PULL BAR	STAINLESS STEEL	-
RECEPTACLE	HOUSING	LCP UL94V-0	BLACK
	CONTACT	COPPER ALLOY	Au
	SHELL	COPPER ALLOY	Au or Pd-Ni

【Applicable Cable Size】

SGC	AWG #36(Power Only), #40, #42, #44
TWINCOAX	AWG #40

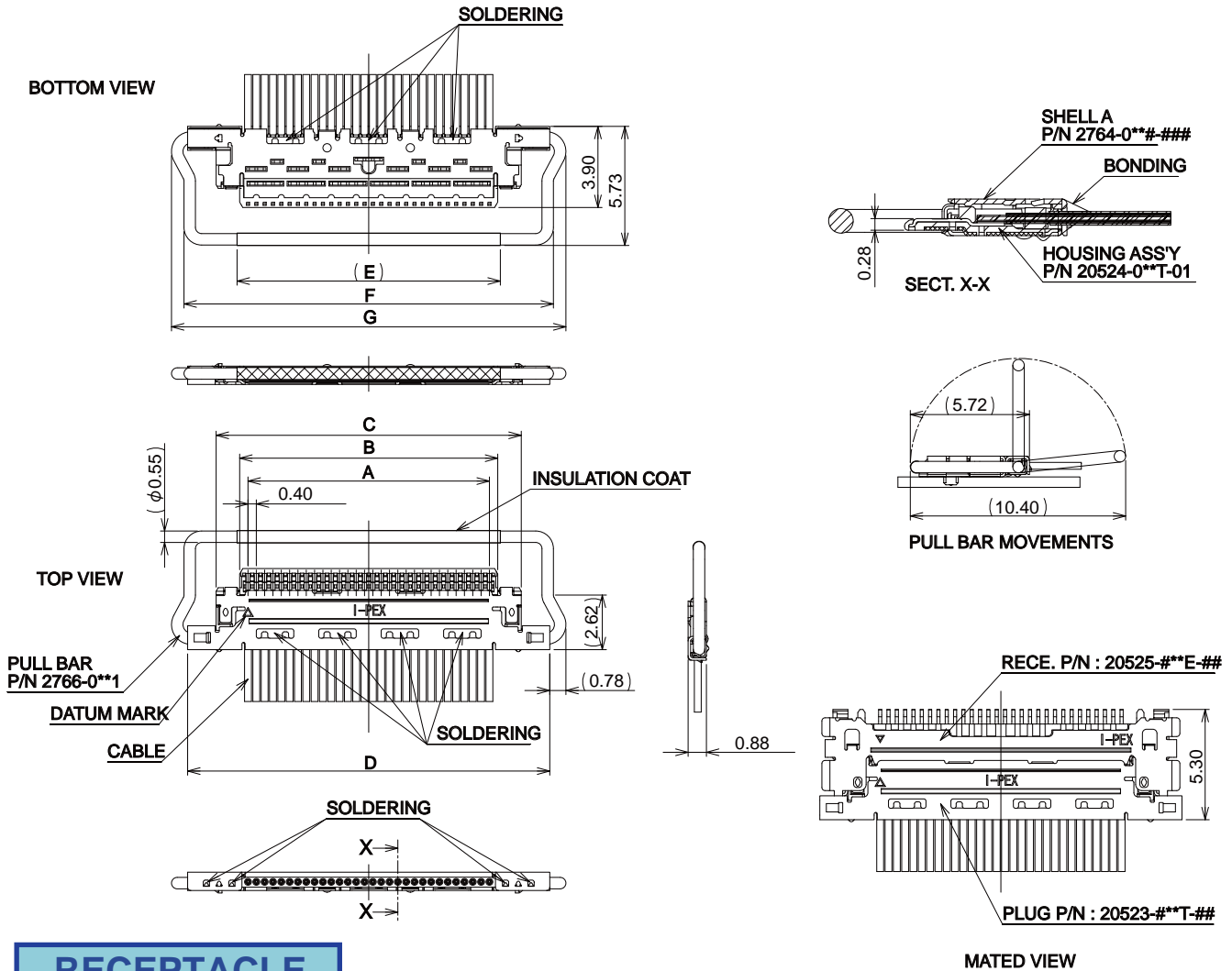
①	POS	30: 30pos 40: 40pos	
②	Packaging	T	Tray
③	DATUM MARK	1	With
		2	Without
④	Plating	-	Au
		001	Pd-Ni

①	POS	30: 30pos 40: 40pos	
②	Packaging	E	Emboss Tape
③	DATUM MARK	0	With
		1	Without
④	Plating	0	Au
		1	Pd-Ni
⑤	BOSS	1	With
		2	Without

PLUG

Set P/N:20523-**-0T-**-**

POS.	A	B	C	D	E	F	G
30	11.60	12.40	14.66	17.40	12.65	17.75	18.95
40	15.60	16.40	18.66	21.40	16.65	21.75	22.95



RECEPTACLE

POS.	A	B	C	D	E	F	G	H	J
30	13.40	11.60	16.43	17.20	9.60	14.90	16.18	17.60	19.60
40	17.40	15.60	20.43	21.20	12.00	18.90	20.18	20.16	23.60

20525-##E-##

- 1: With Boss
- 2: Without Boss

